

[-]GRA

PARTS LIST

Upflow Gas Furnace

SIZES: 04-12

SERIES: A

Publication Date: December, 2002

Form No: 92-21650-43-03



TABLE OF CONTENTS

Notes	Page 2
Model Number Explanation	Page 3
Serial Number Explanation	Page 3
Exploded View	Page 4
Parts	Page 5
Burner	Page 6
Gas Controls	Page 7

ORDERING, STOCKING AND NOTE EXPLANATIONS

Ordering Instructions:

When ordering a replacement part, be sure to read all notes and symbol notations on the parts list. In some cases, it is necessary to determine the unit style number and/or serial number in addition to the model number before selecting a replacement part. When ordering painted cabinet parts, the order **must specify** unit model number, serial number, and paint color. Also, your order can be processed more rapidly if you show the part number and description. Once the product is out of current production, price and availability will vary.

Replacement Parts Stocking Information:

As a general rule, most parts are in stock or have a short order period as long as the product is in current production. Once the product is out of current production price and availability will vary.

Note Explanation:

np = This part is not shown in exploded view. [no picture]
dna = Does not apply

MODEL NUMBER EXPLANATION

[]	G	R	A	-	0	4	E	M	A	E	S
(1)	(2)	(3)	(4)		(5)		(6)	(7)	(8)	(9)	

(1) TRADEBRAND IDENTIFICATION

(2) MODEL

G = GAS FURNACE

(3) TYPE

R = Upflow Condensing

(4) DESIGN SERIES

(5) HEATING INPUT DESIGNATION

<u>Electric Ignition</u>	<u>NOX</u>	<u>Input BTU/HR</u>
04E	04N	= 45,000
06E	06N	= 60,000
07E	07N	= 75,000
09E	09N	= 90,000
10E	10N	= 105,000
12E	12N	= 120,000

(6) BLOWER DESIGNATION

M = 11 x 7

R = 11 x 10

Z = 12 x 11

(7) VARIATIONS

A = Standard

B = Wide Cabinet

(8) HEATING & COOLING DESIGNATION

E = 1100-1300 CFM

G = 1500-1700 CFM

J = 1900 - 2100 CFM

(9) FUEL DESIGNATION

B = Canadian Furnace - Natural Gas

S = U.S. Furnace - Natural Gas

SERIAL NUMBER EXPLANATION

D	G	5	D	7	0	7	F	3	1	9	5	9	9	9	9
(1)	(2)	(3)	(4)	(5)	(6)	(7)	(8)	(9)	(10)	(11)	(12)	(13)	(14)	(15)	(16)

(1) TYPE OF GAS CONTROL USED ON UNIT

DG = W/R 36E37-214 w/UTEC 1012-920 w/Remote Sensor
 DH = W/R 36E37-214 w/HW S9201 E-2001 w/Remote Sensor
 DC = HW 8205H w/HW S9201 E-2001 w/Remote Sensor
 DF = HW 8205H w/UTEC 1012-920 w/Remote Sensor
 EH = HW 8205H w/JCI G961DAJ-2401 w/Remote Sensor & PSE Spark Ignitor
 EJ = HW 8205H w/UTEC 1028-927 w/Remote Sensor & PSE Spark Ignitor
 EK = WR 36E27-214 w/JCI 6961 DAJ-2401 w/Remote Sensor & PSE Spk Igntr
 EL = WR 36E27-214 w/UTEC 1028-927 w/Remote Sensor & PSE Spark Ignitor

(2) LIMIT CONTROL

1 = WATSCO LIMIT CONTROL.
 5 = T.O.D. LIMIT CONTROL.

(3) BLOWER

D = Direct Drive

(4) HEATING ELEMENT

7 = Stainless Steel

(5) SPECIAL AREA REQUIREMENT

0 = No Area Requirement

(6) MOTOR HORSEPOWER

2 = 1/2 HP Motor

7 = 3/4 HP Motor

(7) PLANT

F = Fort Smith, AR

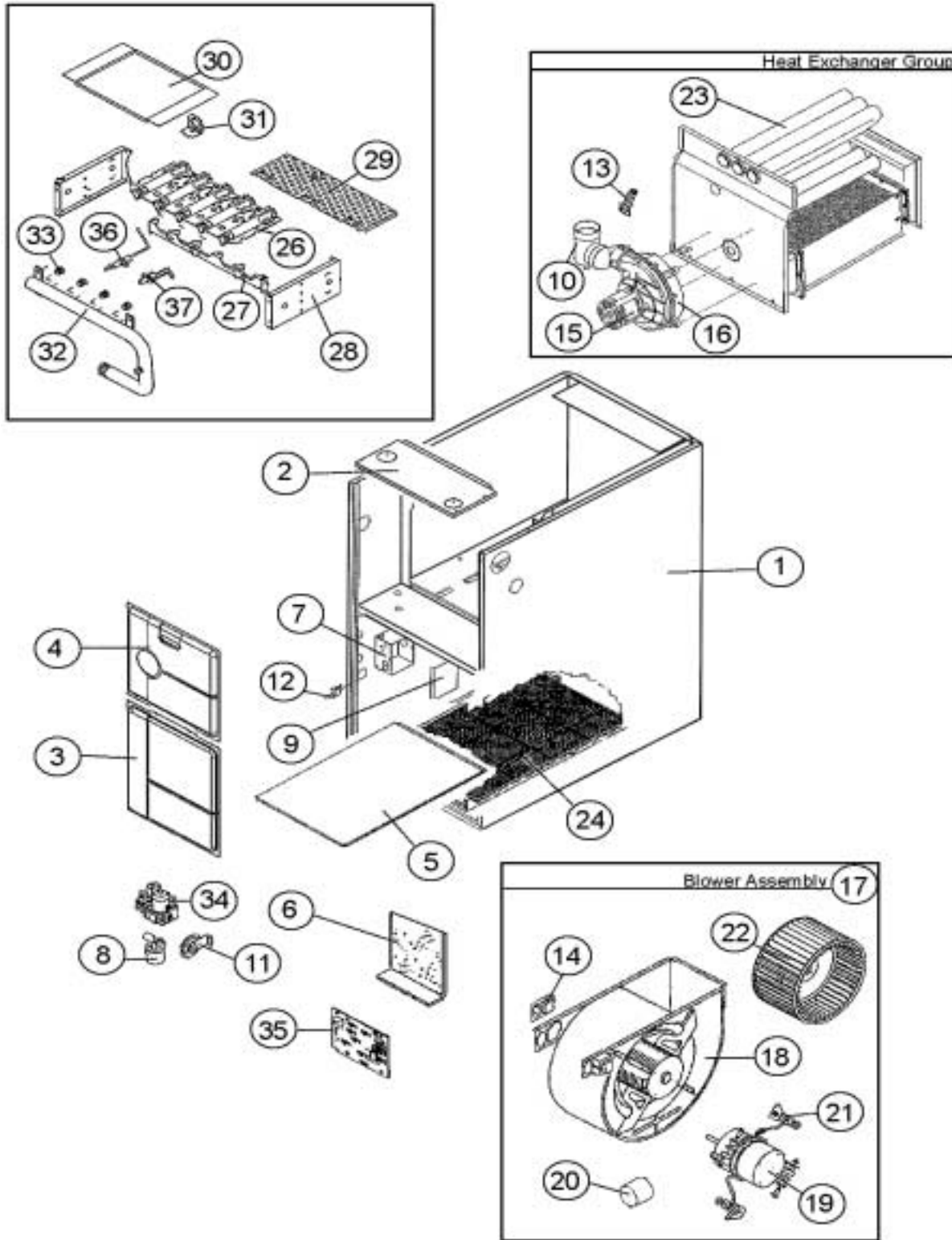
(8) WEEK

(9) YEAR

(10) PRODUCTION NUMBER:

Starts with 00001 and runs through 99999.

EXPLODED VIEW



NO.	MODEL HEATING CAPACITY BLOWER DESIGNATION VARIATION HEAT/COOL DESIGNATION	[-]GRA 04 M A E	[-]GRA 06 M A E	[-]GRA 07 M A E	[-]GRA 07 Y B G	[-]GRA 09 Z A J	[-]GRA 10 Z A J	[-]GRA 12 R A J
PANELS & SHEET METAL PARTS								
1	JACKET	AS-61824-04	AS-61824-04	AS-61824-04	AS-61824-06	AS-61824-05	AS-61824-05	AS-61824-07
2	TOP PLATE	AS-61872-01	AS-61872-01	AS-61872-01	AS-61872-02	AS-61872-02	AS-61872-02	AS-61872-03
3	BLOWER/FILTER DOOR	AS-61908-03	AS-61908-03	AS-67890-01	AS-67891-01	AS-61909-03	AS-61909-03	AS-61910-03
4	BURNER DOOR	AS-61905-01	AS-61905-01	AS-61866-01	AS-61867-01	AS-61906-01	AS-61906-01	AS-61907-01
5	SOLID BOTTOM	AE-61874-02	AE-61874-02	AE-61874-02	AE-61874-03	AE-61874-03	AE-61874-03	AE-61874-04
np	PLUG BUTTON	45-22980-02	45-22980-02	45-22980-02	45-22980-02	45-22980-02	45-22980-02	45-22980-02
6	MOUNTING CONTROL PLATE	AE-67877-01	AE-67877-01	AE-67877-01	AE-67877-01	AE-67877-01	AE-67877-01	AE-67877-01
7	JUNCTION BOX	AE-61475-02	AE-61475-02	AE-61475-02	AE-61475-02	AE-61475-02	AE-61475-02	AE-61475-02
np	PVC VANE	68-23473-01	68-23473-01	68-23473-01	68-23473-01	68-23473-01	68-23473-01	68-23473-01
np	PVC WIND VANE (2 1/2")	68-24049-01	68-24049-01	68-24049-01	68-24049-01	68-24049-01	68-24049-01	68-24049-01
np	WATER TRAP MOUNT BRKT	AE-61841-01	AE-61841-01	AE-61841-01	AE-61841-01	AE-61841-01	AE-61841-01	AE-61841-01
8	TRAP / ELBOW ASSEMBLY	68-24048-01	68-24048-01	68-24048-01	68-24048-01	68-24048-01	68-24048-01	68-24048-01
9	JUNCTION BOX COVER	AE-61476-02	AE-61476-02	AE-61476-02	AE-61476-02	AE-61476-02	AE-61476-02	AE-61476-02
10	CONNECTOR/TRANSITION	68-24047-07	68-24047-07	68-24047-07	68-24047-08	68-24047-08	68-24047-08	68-24047-09
ELECTRIC GROUP								
11	PRESSURE SWITCH (Drain)	42-24012-02	42-24012-02	42-24012-02	42-24012-02	42-24012-02	42-24012-02	42-24012-02
np	PRESSURE SWITCH (Vent)	42-24012-01	42-24012-05	42-24012-01	42-24012-01	42-24012-05	42-24012-04	42-24012-03
12	DOOR SWITCH - Push Button	42-22692-02	42-22692-02	42-22692-02	42-22692-02	42-22692-02	42-22692-02	42-22692-02
np	LIMIT CONTROL	47-25350-06	47-25350-05	47-25350-09	47-25350-01	47-25350-01	47-25350-07	47-25350-01
13	LIMIT CONTROL (exposed)	47-22861-02	47-22861-02	47-22861-02	47-22861-02	47-22861-02	47-22861-02	47-22861-02
14	TRANSFORMER	46-24124-03	46-24124-03	46-24124-03	46-24124-03	46-24124-03	46-24124-03	46-24124-03
15	IDB CAPACITOR	43-20847-44	43-20847-44	43-20847-44	43-20847-44	43-20847-44	43-20847-44	43-20847-44
16	INDUCER MOTOR	70-24033-01	70-24033-01	70-24033-01	70-24033-01	70-24033-01	70-24033-01	70-24033-01
BLOWER GROUP								
17	BLOWER ASSEMBLY	AS-61697-15	AS-61697-15	AS-61697-15	AS-61697-19	AS-61697-18	AS-61697-18	AS-61697-13
18	HOUSING	AS-61674-02	AS-61674-02	AS-61674-02	AS-61674-02	AS-61674-08	AS-61674-08	AS-61674-03
19	MOTOR	51-24042-01	51-24042-01	51-24042-01	51-26192-01	51-26192-01	51-26192-01	51-26192-01
20	CAPACITOR	43-21298-42	43-21298-42	43-21298-42	43-21298-43	43-21298-43	43-21298-43	43-21298-43
21	MOTOR MOUNT LEG (4)	AE-61698-02	AE-61698-02	AE-61698-02	AE-61698-02	AE-61698-02	AE-61698-02	AE-61698-02
22	WHEEL	70-22688-01	70-22688-01	70-22688-01	70-24119-01	70-24041-01	70-24041-01	70-20602-01
HEAT EXCHANGER GROUP								
23	HEAT EXCHANGER	AS-61849-01	AS-61849-02	AS-61849-03	AS-61849-05	AS-61849-04	AS-61849-06	AS-61849-07
FILTER GROUP								
24	FILTER - PLASTIC	54-24094-01	54-24094-01	54-24094-01	54-24094-02	54-24094-02	54-24094-02	54-24094-03
np	FILTER RETAINER ROD	45-24095-01	45-24095-01	45-24095-01	45-24095-01	45-24095-01	45-24095-01	45-24095-01
np	FILTER ROD SUPPORT ANGLE	AE-60520-01	AE-60520-01	AE-60520-01	AE-60520-01	AE-60520-01	AE-60520-01	AE-60520-01
np	FILTER SUPPORT ANGLE	AE-61883-01	AE-61883-01	AE-61883-01	AE-61883-01	AE-61883-01	AE-61883-01	AE-61883-01

NO.	MODEL HEATING CAPACITY BLOWER DESIGNATION VARIATION HEAT/COOL DESIGNATION	[]GRA	[]GRA	[]GRA	[]GRA	[]GRA	[]GRA	[]GRA
		04 M A E	06 M A E	07 M A E	07 Y B G	09 Z A J	10 Z A J	12 R A J
BURNER / MANIFOLD GROUP [DATE CODE: BEFORE 5/1/99]								
26	BURNERS	75-24001-01 (3)	75-24001-01 (4)	75-24001-01 (5)	75-24001-01 (5)	75-24001-01 (6)	75-24001-01 (7)	75-24001-01 (8)
27	BURNER SUPPORT	AE-61809-01	AE-61809-02	AE-61809-03	AE-61809-03	AE-61809-04	AE-61809-05	AE-61809-06
28	BURNER SUPPORT BRKT	AE-61808-01	AE-61808-01	AE-61808-01	AE-61808-01	AE-61808-01	AE-61808-01	AE-61808-01
29	BURNER DIFFUSER	AE-61882-12	AE-61882-11	AE-61882-07	AE-61882-07	AE-61882-08	AE-61882-09	AE-61882-10
30	BURNER SHIELD	AE-61807-01	AE-61807-02	AE-61807-03	AE-61807-03	AE-61807-04	AE-61807-05	AE-61807-06
31	OVERTEMP SWITCH BRKT	AE-61913-01	AE-61913-01	AE-61913-01	AE-61913-01	AE-61913-01	AE-61913-01	AE-61913-01
32	MANIFOLD w/o ORIFICE	AS-61818-01	AS-61818-02	AS-61818-03	AS-61818-03	AS-61818-04	AS-61818-05	AS-61818-06
33	BURNER ORIFICE (Natural) listed below:							
	U.S. MODELS 0-7999' & CANADIAN MODELS 0-1999' ELEVATION	62-22175-50	62-22175-50	62-22175-50	62-22175-50	62-22175-50	62-22175-50	62-22175-50
	CANADIAN MODELS 2000-4500+	62-22175-51	62-22175-51	62-22175-51	62-22175-51	62-22175-51	62-22175-51	62-22175-51
np	LP CONVERSION KITS listed below:							
	U.S. MODELS 0-7999' Only	FP-02	FP-02	FP-02	FP-02	FP-02	FP-02	FP-02
	U.S. MODELS 8000' & Above Only	FP-03	FP-03	FP-03	FP-03	FP-03	FP-03	FP-03
	CANADIAN MODELS 0-4500' Only	FP-05	FP-05	FP-05	FP-05	FP-05	FP-05	FP-05
BURNER / MANIFOLD GROUP [DATE CODE: AFTER 5/1/99]								
np	NOX BURNER INSERTS	AE-67863-01	AE-67863-01	AE-67863-01	AE-67863-01	AE-67863-01	AE-67863-01	AE-67863-01
np	NOX RETAINING BRKT	AE-67864-06	AE-67864-01	AE-67864-02	AE-67864-02	AE-67864-03	AE-67864-04	AE-67864-05
26	BURNERS	AS-61984-03	AS-61984-04	AS-61984-05	AS-61984-05	AS-61984-06	AS-61984-07	AS-61984-08
27	BURNER SUPPORT	AE-61809-11	AE-61809-12	AE-61809-13	AE-61809-13	AE-61809-14	AE-61809-15	AE-61809-16
28	BURNER SUPPORT BRKT	AE-61808-01	AE-61808-01	AE-61808-01	AE-61808-01	AE-61808-01	AE-61808-01	AE-61808-01
29	BURNER DIFFUSER	AE-61882-12	AE-61882-11	AE-61882-07	AE-61882-07	AE-61882-08	AE-61882-09	AE-61882-10
30	BURNER SHIELD	AE-61807-01	AE-61807-02	AE-61807-03	AE-61807-03	AE-61807-04	AE-61807-05	AE-61807-06
31	OVERTEMP SWITCH BRKT	AE-61913-02	AE-61913-02	AE-61913-02	AE-61913-02	AE-61913-02	AE-61913-02	AE-61913-02
32	MANIFOLD w/o ORIFICE	AS-61818-11	AS-61818-12	AS-61818-13	AS-61818-13	AS-61818-14	AS-61818-15	AS-61818-16
33	BURNER ORIFICE (Natural) listed below:							
	U.S. MODELS 0-7999' & CANADIAN MODELS 0-1999' ELEVATION	62-22175-50	62-22175-50	62-22175-50	62-22175-50	62-22175-50	62-22175-50	62-22175-50
	CANADIAN MODELS 2000-4500+	62-22175-51	62-22175-51	62-22175-51	62-22175-51	62-22175-51	62-22175-51	62-22175-51
np	LP CONVERSION KITS listed below:							
	U.S. MODELS 0-7999' Only	FP-02	FP-02	FP-02	FP-02	FP-02	FP-02	FP-02
	U.S. MODELS 8000' & Above Only	FP-03	FP-03	FP-03	FP-03	FP-03	FP-03	FP-03

GAS CONTROLS

The Gas Controls listed below are specific to the [-]GRA Furnace

NO	DESCRIPTION	DC	DF	DG	DH	EF
34	GAS VALVE	60-22866-01	60-22866-01	60-23490-01	60-23490-01	60-22866-01
35	INTEGRATED FURNACE CONTROL	62-24044-01	62-24084-01	62-24084-02	62-24044-01	62-24133-01
36	FLAME SENSOR	dna	dna	62-23543-01	62-23543-01	62-23543-03
np	IGNITER - SILICON NITRIDE	dna	dna	dna	dna	62-24134-01
np	BRACKET - SILICON NITRIDE	dna	dna	dna	dna	AE-61958-01
NO	DESCRIPTION	EG	EH	EJ	EK	EL
34	GAS VALVE	60-23490-01	60-22866-01	60-22866-01	60-23490-01	60-23490-01
35	INTEGRATED FURNACE CONTROL	62-24133-01	62-24136-03	62-24140-02	62-24136-03	62-24140-02
36	FLAME SENSOR	62-23543-03	dna	dna	dna	dna
37	IGNITOR	dna	62-22868-02	62-22868-02	62-22868-02	62-22868-02
np	IGNITOR - DIRECT SPARK	dna	62-24141-04	62-24141-04	62-24141-04	62-24141-04
np	IGNITER - SILICON NITRIDE	62-24134-01	dna	dna	dna	dna
np	IGNITOR BRACKET	dna	AE-61581-01	AE-61581-01	AE-61581-01	AE-61581-01
np	BRACKET - DIRECT SPARK	dna	AE-61885-02	AE-61885-02	AE-61885-02	AE-61885-02
np	BRACKET - SILICON NITRIDE	AE-61958-01	dna	dna	dna	dna
np	IGNITOR SHIELD	dna	AE-61627-01	AE-61627-01	AE-61627-01	AE-61627-01
np	WIRE HARNESS (prior 8/01/98)	dna	AS-61997-28	AS-61997-28	AS-61997-28	AS-61997-28
np	WIRE HARNESS (after 8/01/98)	dna	AS-61997-38	AS-61997-38	AS-61997-38	AS-61997-38
np	WIRE HARNESS (prior 8/30/97)	dna	45-24090-03	45-24090-03	45-24090-03	45-24090-03
np	WIRE HARNESS (prior 4/27/02)	dna	45-24090-05	45-24090-05	45-24090-05	45-24090-05
np	WIRE HARNESS (after 4/27/02) (Twist-Lock)	dna	45-24393-02	45-24393-02	45-24393-02	45-24393-02

Printed in U.S.A.

Air Conditioning Division
P.O. Box 17010
Fort Smith, AR 72917-7010

**December 2002
92-21650-43R-03**

Printed in U.S.A.

Air Conditioning Division
P.O. Box 17010
Fort Smith, AR 72917-7010

**December 2002
92-21650-43U-03**